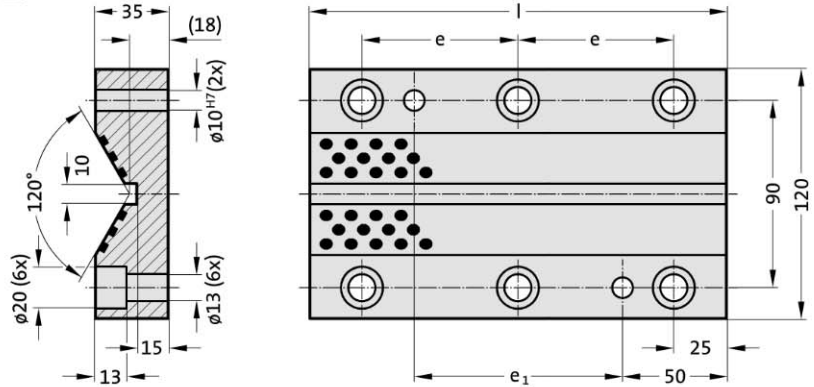


Prismatic guide, Bronze with solid lubricant Sliding block, Steel



2963.72.



Material:

Bronze with solid lubricant,
oilless lubricating

Note:

Screws and pins are not included.

Fixing:

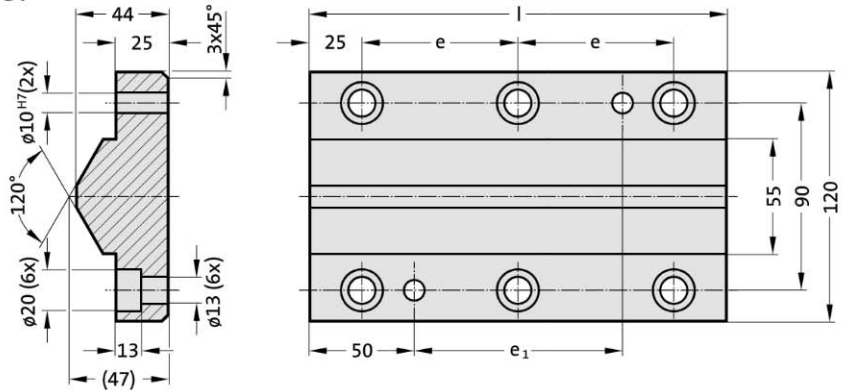
Use socket cap screws
DIN EN ISO 4762 M12.

2963.72. Prismatic guide, Bronze with solid lubricant

Order No	l	e	e ₁	Number of screw holes
2963.72.120.035.0150	150	50	50	6
2963.72.120.035.0200	200	75	100	6
2963.72.120.035.0250	250	100	150	6
2963.72.120.035.0300	300	125	200	6



2963.73.



Material:

Steel, sliding faces surface
hardened

Note:

Screws and pins are not included.

Fixing:

Use socket cap screws
DIN EN ISO 4762 M12.

2963.73. Sliding block, Steel

Order No	l	e	e ₁	Number of screw holes
2963.73.120.044.0150	150	50	50	6
2963.73.120.044.0200	200	75	100	6
2963.73.120.044.0250	250	100	150	6
2963.73.120.044.0300	300	125	200	6

