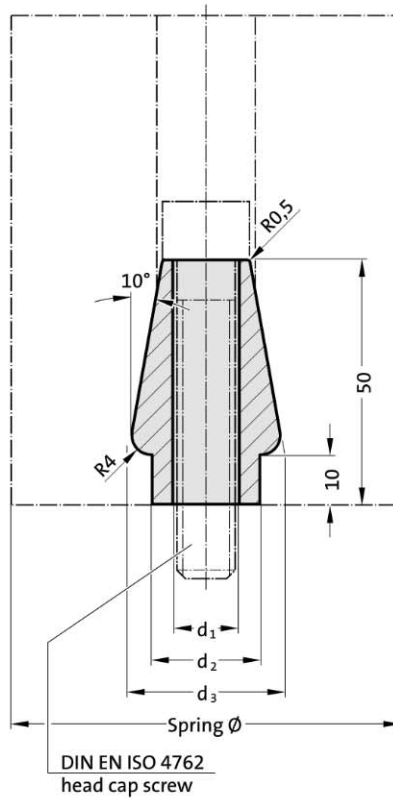


Locating bolt Locating bolt, threaded



2441.5.



2441.5.

Locating bolt

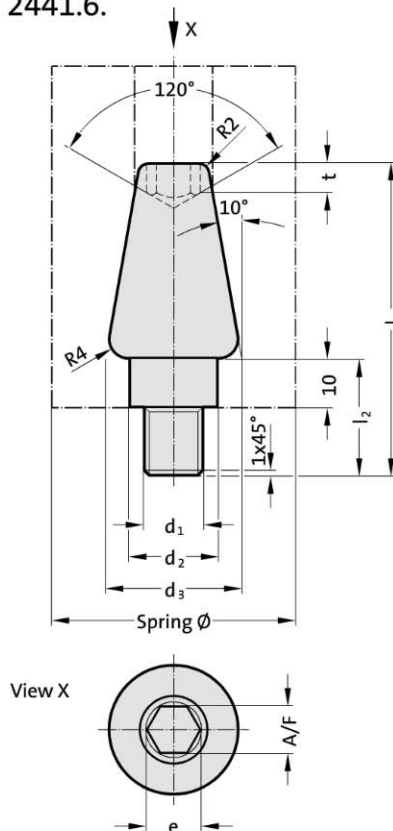
| Order No | Spring Ø | d ₁ | d ₂ | d ₃ | Socket cap screw |
|-----------|----------|----------------|----------------|----------------|------------------|
| | | | | | DIN EN ISO 4762 |
| 2441.5.10 | 63 | 11 | 18 | 28 | M10x65 |
| 2441.5.12 | 80 100 | 13.5 | 22 | 32 | M12x70 |
| 2441.5.16 | 125 | 17.5 | 28 | 38 | M16x70 |

Note:

Elastomeric round springs are positioned and secured in place by the locating bolts. Screws not included.



2441.6.



2441.6.

Locating bolt, threaded

| Order No | Spring Ø | d ₁ | d ₂ | d ₃ | l ₁ | l ₂ | SW | e | t |
|-----------|----------|----------------|----------------|----------------|----------------|----------------|----|------|---|
| | | | | | | | | | |
| 2441.6.16 | 80 100 | M16 | 22 | 32 | 68 | 28 | 10 | 11.4 | 6 |
| 2441.6.20 | 125 | M20 | 28 | 38 | 72 | 32 | 14 | 16 | 8 |

Note:

Elastomeric round springs are positioned and secured in place by the locating bolts.

