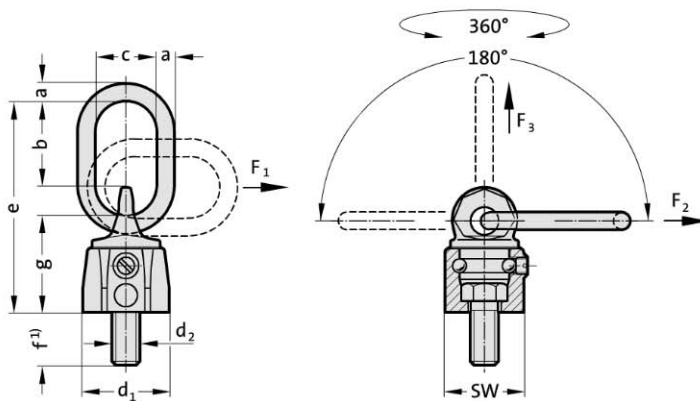




# Rotary safety eyebolt, light duty, with ball bearing

2131.20.



### Description:

For loads that are turned and rotated.  
 Mounted on ball-bearings – can be rotated through 360° under load (F<sub>3</sub>).  
 Cannot be rotated under full load at 90° to the threaded fixing (F<sub>1</sub>, F<sub>2</sub>).  
 Not suitable for extended rotational movement when fully loaded.  
 Can be loaded on all sides with a safety factor 4:1.  
 High-strength suspension eye conforming to EN 1677-4  
<sup>1)</sup> Other thread lengths available upon request.

### Note:

Ensure that the bolting surface is flat. Thread must be screwed in completely.  
 The threaded connection on the transported load must be suitable for transferring forces.

## 2131.20. Rotary safety eyebolt, light duty, with ball bearing

Order No	Rated carrying capacity for F <sub>1</sub> [t]	a	b	c	d <sub>1</sub>	d <sub>2</sub>	e	f	g	SW*
2131.20.008.013	0.3	8	33	29	30	8	76	13	36	28
2131.20.010.017	0.45	8	33	29	36	10	78	17	38	30

\*SW = Width across flats

## Max. carried load “G” in tonnes for various types of attachment

Type of attachment, Arrangement of the suspension points											
Number of lines	1	1	2	2	2 symmetrical		2	3 and 4 symmetrical		3 and 4	
Angle of inclination/ load direction	0°	90°	0°	90°	0–45°	45–60°	asymmetrical	0–45°	45–60°	asymmetrical	
Order No	Thread	carried load in tonnes									
2131.20.008.013	M 8	0,6	0,3 (0,4)	1,2	0,6 (0,8)	0,42 (0,56)	0,3 (0,4)	0,3 (0,4)	0,63 (0,84)	0,45 (0,6)	0,3 (0,4)
2131.20.010.017	M10	0,9	0,45 (0,6)	1,8	0,9 (1,2)	0,63 (0,84)	0,45 (0,6)	0,45 (0,6)	0,95 (1,26)	0,68 (0,9)	0,45 (0,6)