

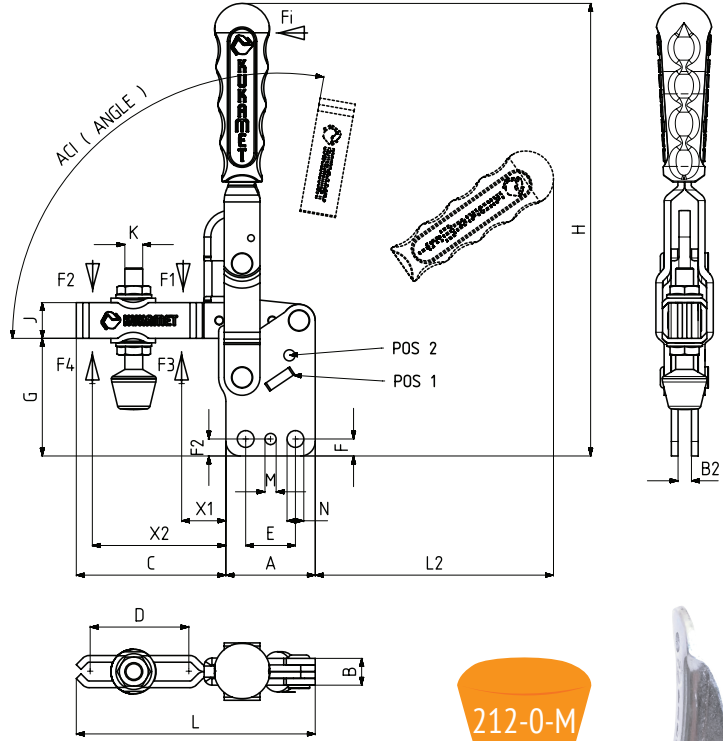
212

new

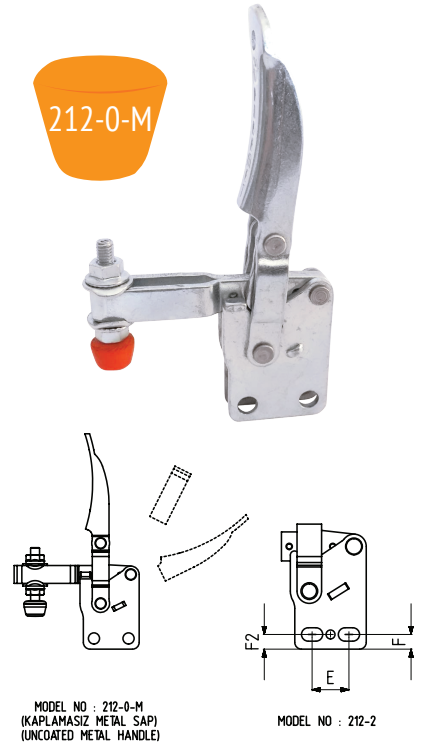
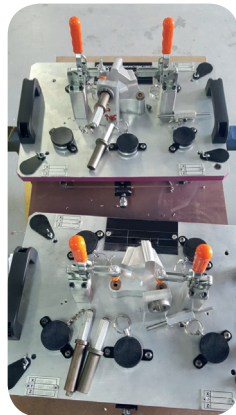
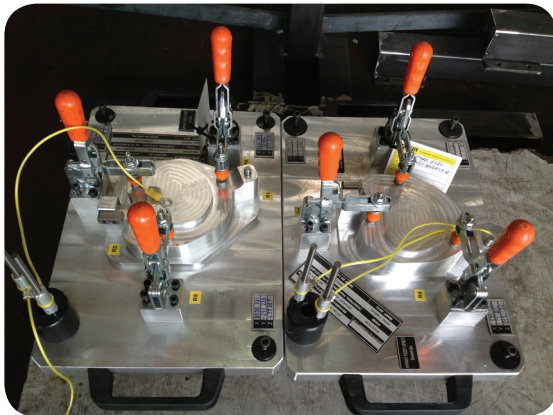


| MODEL NO | PASLANMAZ (STAINLESS) | SİYAH (BLACK) | F1 (N) | F2 (N) | F3 (N) | F4 (N) | Fi | | BASKI VİDASI (SQUEEZE SCREW) | AÇI (ANGLE) (± 5°) | | AĞIRLIK (WEIGHT) (gr) |
|----------|-----------------------|---------------|--------|--------|--------|--------|----------------------------|----------------------------|------------------------------|--------------------|------|-----------------------|
| | | | | | | | (X1) VERİM (YIELD) (F1:Fi) | (X2) VERİM (YIELD) (F2:Fi) | | POS1 | POS2 | |
| 212-0-M | S 212 - | B 212 - | 550 | 350 | 700 | 455 | 10:1 | 5:1 | M4X25 | 115° | | 80 |
| 212-0 | S 212 - | B 212 - | 550 | 350 | 700 | 455 | 10:1 | 5:1 | M4X25 | 115° | | 72 |
| 212-1 | S 212 - | B 212 - | 750 | 500 | 1000 | 680 | 12:1 | 8:1 | M5X35 | 105° | | 155 |
| 212-2 | S 212 - | B 212 - | 1200 | 700 | 1400 | 925 | 12:1 | 7,5:1 | M6X40 | 105° | | 230 |
| 212-3 | S 212 - | B 212 - | 2000 | 1400 | 2500 | 1560 | 11:1 | 8:1 | M8X50 | 105° | | 415 |
| 212-4 | S 212 - | B 212 - | 3000 | 2000 | 3300 | 2200 | 11,5:1 | 8:1 | M10X70 | 135° | 105° | 900 |
| 212-5 | S 212 - | B 212 - | 4500 | 2500 | 5000 | 3000 | 12:1 | 7:1 | M12X80 | 135° | 105° | 1540 |

F1 - F2 : BASKI KUVVETİ (EXERTING FORCE), F3 - F4 : TUTMA KAPASİTESİ (HOLDING CAPACITY), Fi : UYGULAMA KUVVETİ (APPLIED FORCE)



Ayak Tipi: Dikey Tabanlı
Body Mounting Base: Vertical



| MODEL NO | A | B | B2 | C | D | E | F | F2 | G | H | J | K | L | L2 | M | N | X1 | X2 |
|----------|----|----|----|-----|----|-------|------|------|----|-----|----|-----|-----|-----|----|---------|----|-----|
| 212-0-M | 25 | 8 | 4 | 31 | 20 | 15,5 | 5 | | 29 | 96 | 8 | M4 | 56 | 50 | | Ø 5 | 11 | 22 |
| 212-0 | 25 | 8 | 4 | 31 | 20 | 15,5 | 5 | | 29 | 88 | 8 | M4 | 56 | 45 | | Ø 5 | 11 | 22 |
| 212-1 | 26 | 10 | 5 | 44 | 26 | 16 | 5 | 5,75 | 35 | 137 | 10 | M5 | 70 | 75 | Ø5 | Ø 5 | 18 | 34 |
| 212-2 | 32 | 10 | 5 | 62 | 42 | 13-20 | 6,5 | 6,5 | 39 | 154 | 13 | M6 | 94 | 85 | Ø4 | 6 x 9,5 | 20 | 50 |
| 212-3 | 40 | 12 | 6 | 67 | 42 | 22,5 | 7,5 | 7,6 | 52 | 202 | 16 | M 8 | 107 | 110 | Ø5 | Ø 7,5 | 25 | 52 |
| 212-4 | 52 | 16 | 8 | 100 | 67 | 32 | 12 | 11 | 70 | 263 | 20 | M10 | 152 | 160 | Ø5 | Ø 9 | 34 | 82 |
| 212-5 | 65 | 20 | 10 | 130 | 88 | 42 | 15,5 | 11,6 | 82 | 287 | 25 | M12 | 195 | 165 | Ø6 | Ø 9 | 42 | 107 |