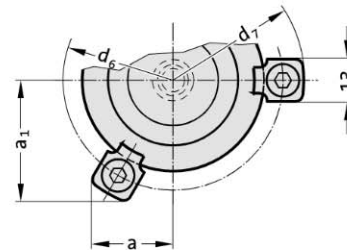
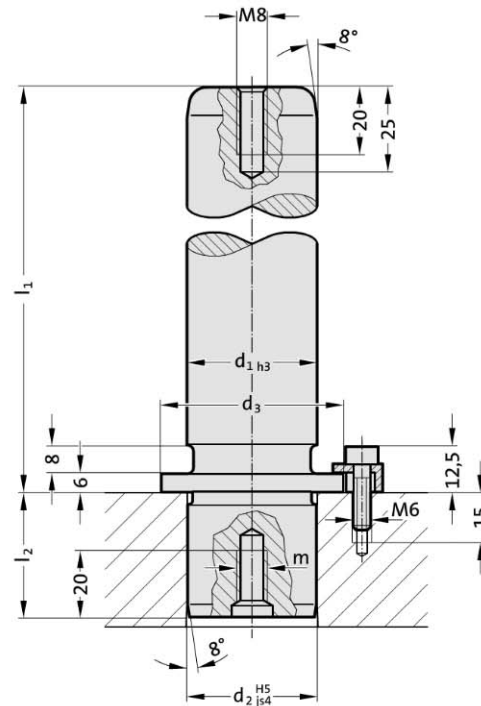




2021.46.



Description:

Demountable pillars with shoulder are suited to applications where die sharpening requires dismantling and re-fitting.

Material:

Steel, (Core strength: $\geq 900 \text{ N/mm}^2$) surface hardened

Surface hardness: $60 \pm 3 \text{ HRC}$, Hardness penetration $\geq 1,8 \text{ mm}$

Execution:

fine precision ground

Method of manufacturing entails that centre holes are not concentric with O.D.

Note:

The attachment is with 3 Screw clamp, from $\varnothing d_1 = 38$ with 4 Screw clamp, which are included in delivery (Order No: 207.45 - Screw clamp incl. socket cap screw DIN 6912, Head $\varnothing 13$).

Bearing clearance / Preloading see pairing classification at the beginning of chapter D.

Matching guide combinations, see selection matrix at the beginning of chapter D.

Assembly guide lines / Dimensional requirements and tolerances at the end of chapter D.

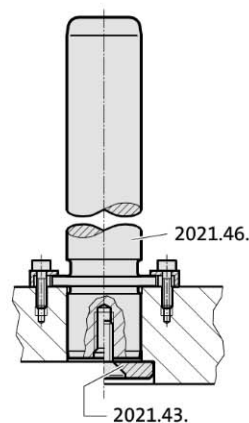
Tolerance range:

yellow = .10

green = .20

red = .30

Mounting example



Guide pillar with collar, screw clamp retention, DIN 9825/~ISO 9182-5

2021.46. Guide pillar with collar, screw clamp retention, DIN 9825/~ISO 9182-5

d ₁	15 16	19 20	24 25	30 32	38 40	48 50	60 63	80
d ₂	15 16	19 20	24 25	30 32	38 40	48 50	60 63	80
d ₃	22	25	32	40	50	63	80	95
d ₆	33	36	43	51	61	74	91	106
d ₇	45.7	48.7	55.7	63.7	73.7	86.7	103.7	118.7
a	15.9	16.6	18.4	20.4	29.2	33.8	39.8	46.2
a ₁	21.7	23	26	29.5	29.2	33.8	39.8	46.2
m	M8	M8	M8	M8	M8	M8	M8	M12
l ₂	20	23	30	37	37	47	47	60
l ₁								
100	●	●	●					
112	●	●	●	●				
125	●	●	●	●	●			
140	●	●	●	●	●	●		
160	●	●	●	●	●	●	●	
180	●	●	●	●	●	●	●	●
200	●	●	●	●	●	●	●	●
224			●	●	●	●	●	●
250			●	●	●	●	●	●
280				●	●	●	●	●
315				●	●	●	●	●
355					●	●	●	●
400						●	●	●



Ordering Code (example):

Guide pillar with collar, screw clamp retention, DIN 9825/~ISO 9182-5	=	2021.46.
Guide diameter d ₁	32 mm =	032.
Length l ₁	315 mm =	315.
Classification TOL	yellow =	10
Order No	=	2021.46.032.315.10